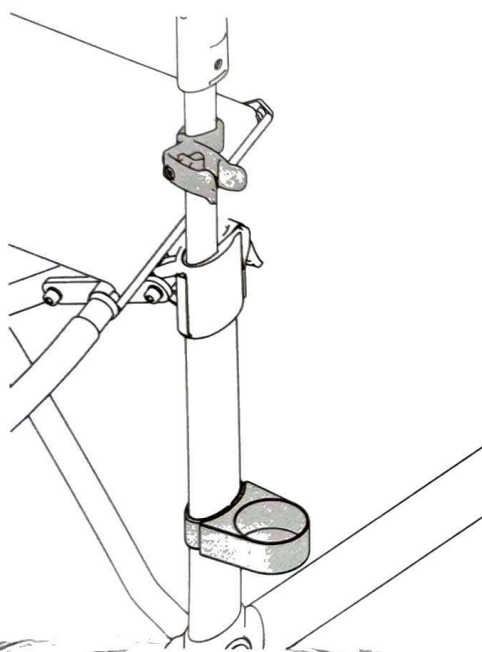


ASSEMBLY INSTRUCTION  
**Crutch holder**



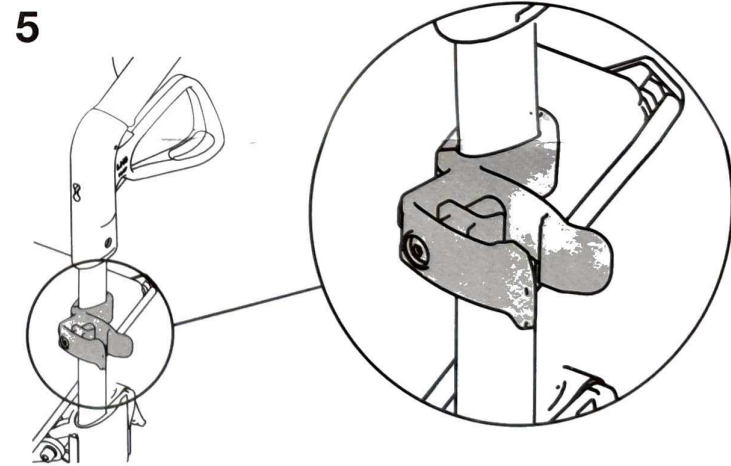
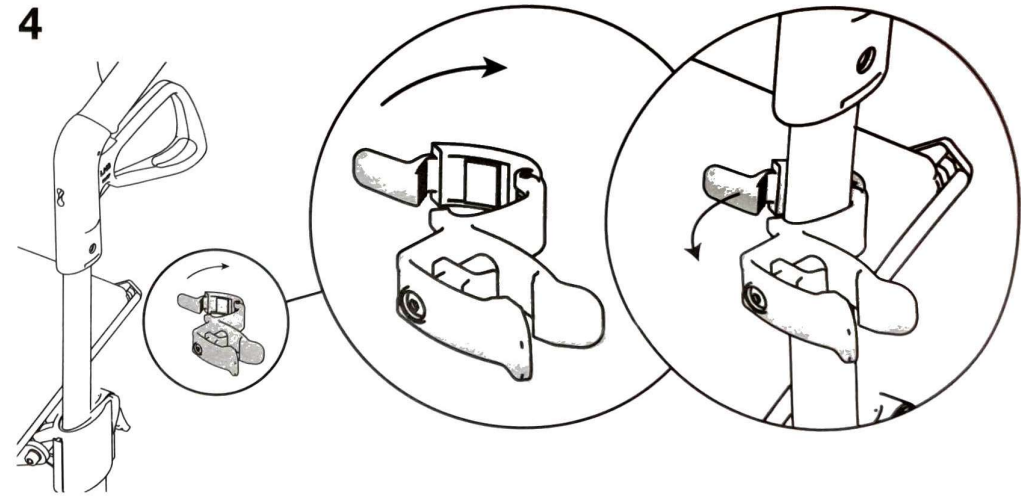
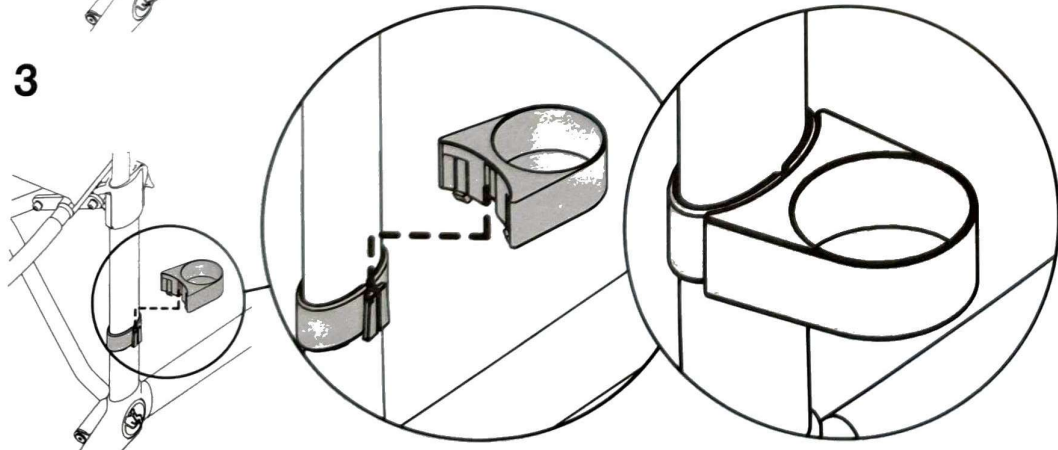
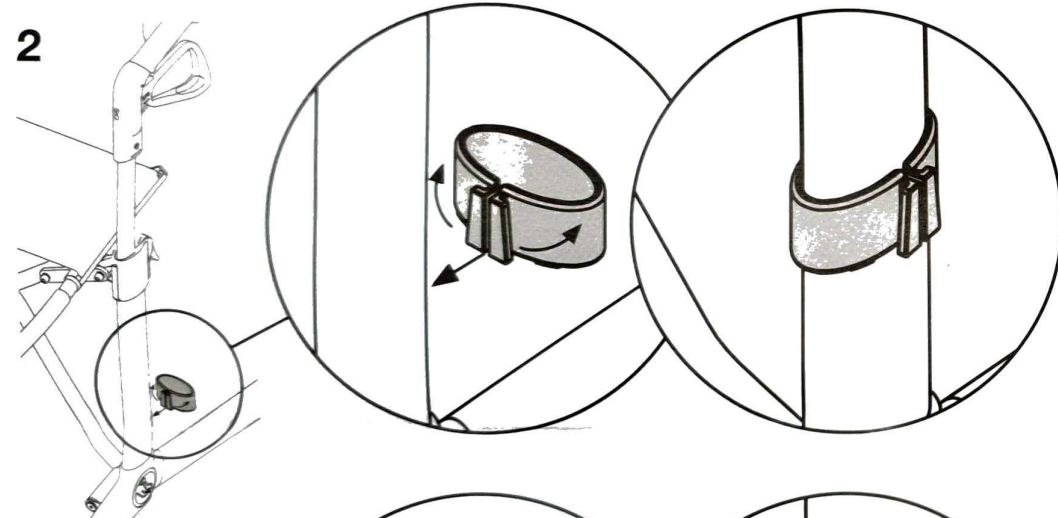
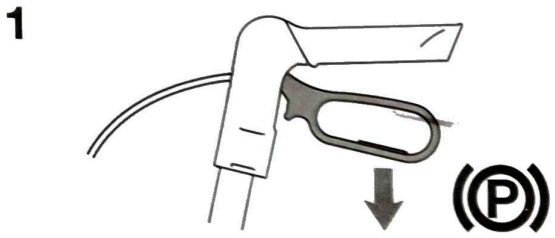
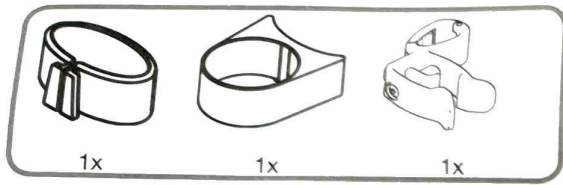
**Description**

Crutch holder, Gemino all models

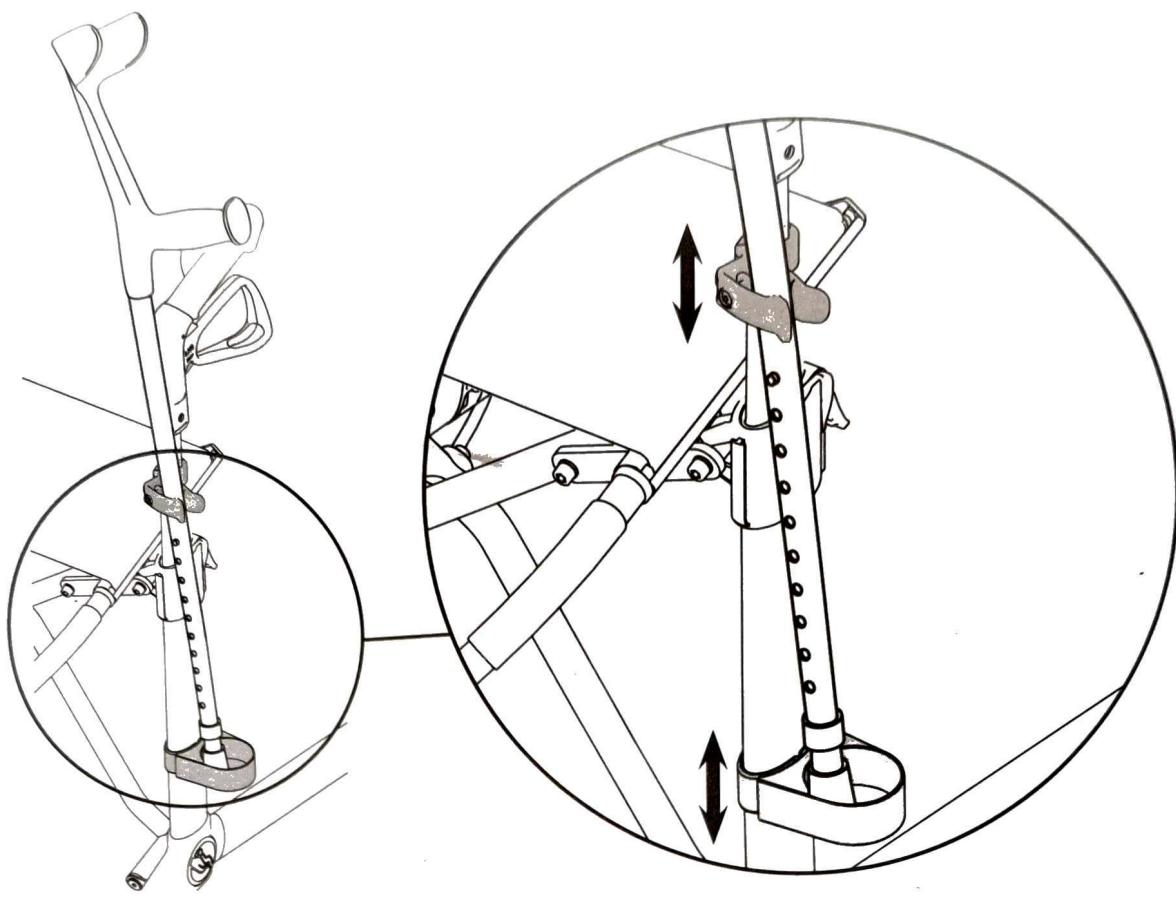
**Article number**

7109011

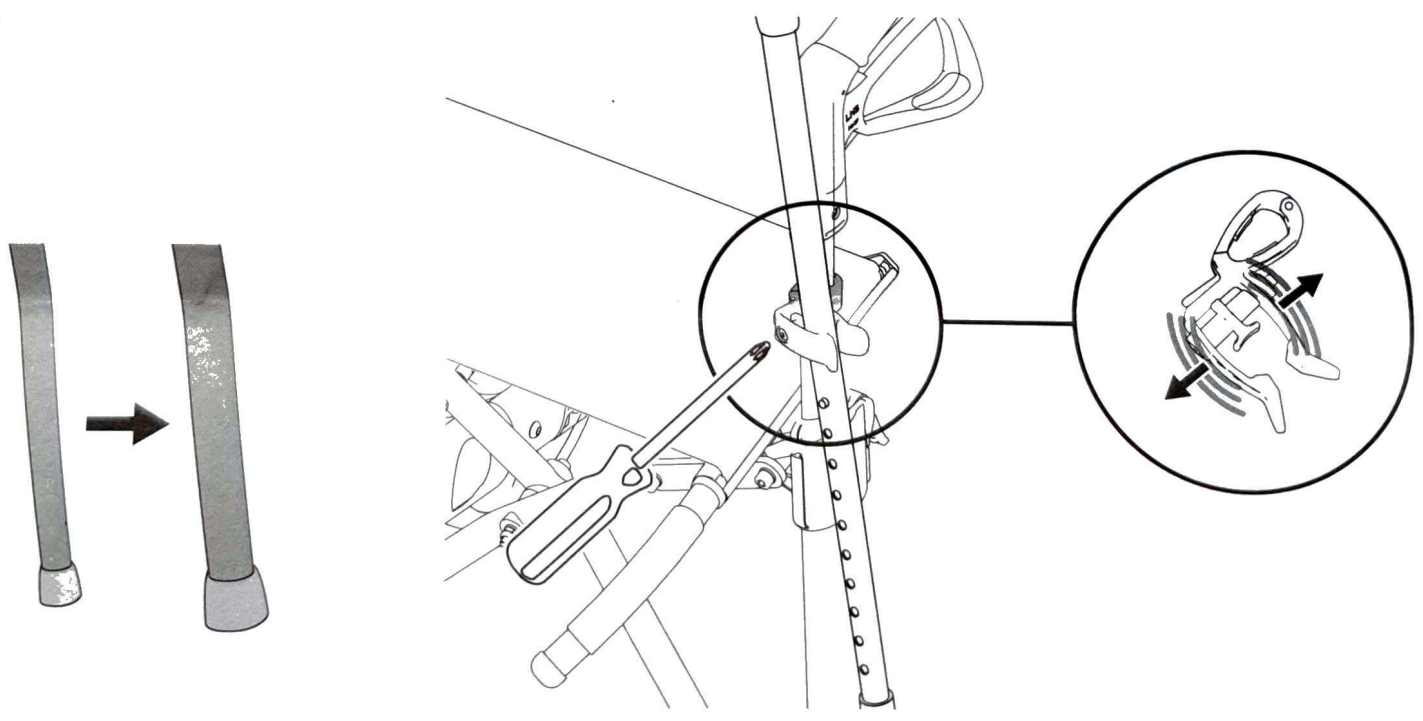
**GEMINO**



6



7



Sunrise Medical HCM B.V.  
Vossenbeemd 104  
5705 CL Helmond  
The Netherlands  
T: +31 (0)492 593 888  
customerservice@sunrisemedical.nl  
www.SunriseMedical.eu